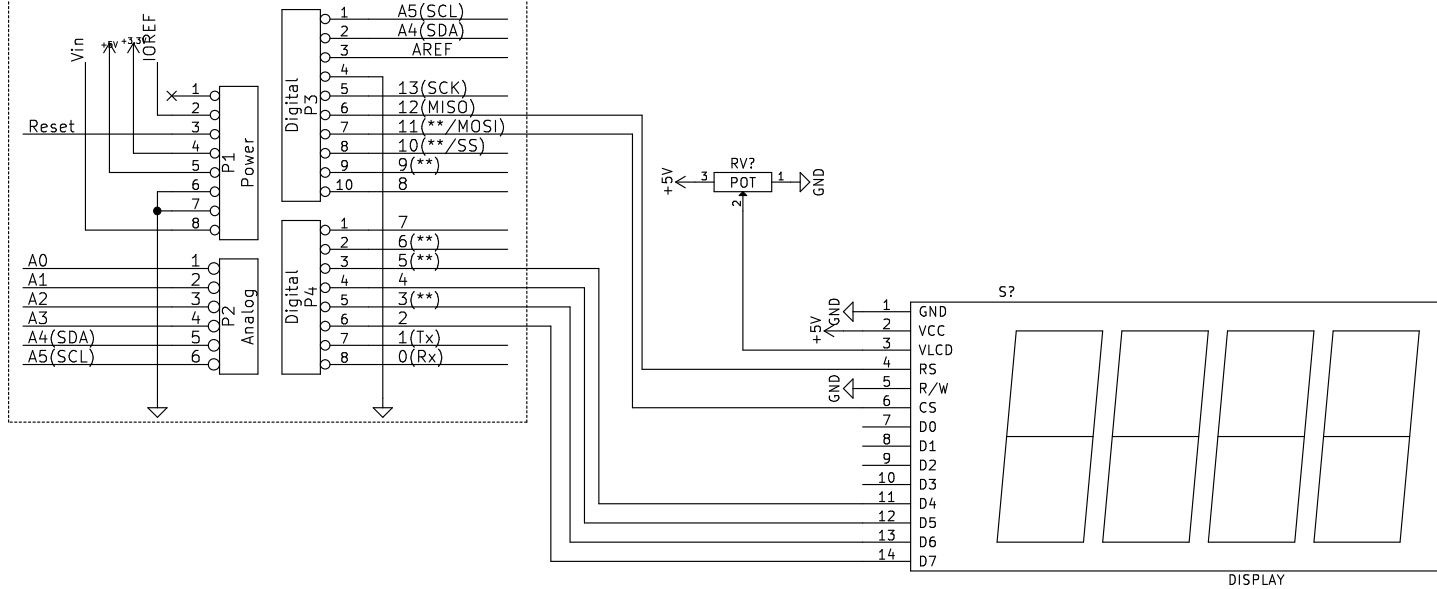
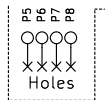


Shield for Arduino that uses the same pin disposition like "Uno" board Rev 3.



Esempio di uso di LCD

I4NKF

Sheet: /

File: LCD.sch

Title: LCD Arduino

Size: A4 Date: 2016-02-13

Rev: 0

KiCad E.D.A. kicad (2015-08-16 BZR 6097, Git b384c94)-product

Id: 1/1